

Gasoline containing up to 10% ethanol (E10) is acceptable for use in this machine. The use of any gasoline exceeding 10% ethanol (E10) will void the product warranty.

Parts Manual

RZ4222TF BF / 967036501



Please read the operator's manual carefully and make sure you understand the instructions before using the machine.

When you need spare parts or support in service questions, warranty issues, etc., please consult the following professional:

This Parts Manual belongs to the machine with the manufacturing number:	Engine	Transmission

Manufacturing Number

The machine's manufacturing number can be found on the printed plate affixed to the engine compartment.

Stated on the plate, from the top are:

- The machine's type designation (I.D.).
- The manufacturer's type number (Model).
- The machine's serial number (Serial no.)

Please have the type designation and serial number available when ordering spare parts.

The engine's manufacturing number is stamped on one of the valve covers.

The plate states:

- The engine's model.
- The engine's type.
- Code

Please have these available when ordering spare parts.

The wheel motors and hydrostatic pumps have a barcode decal affixed at the rear.

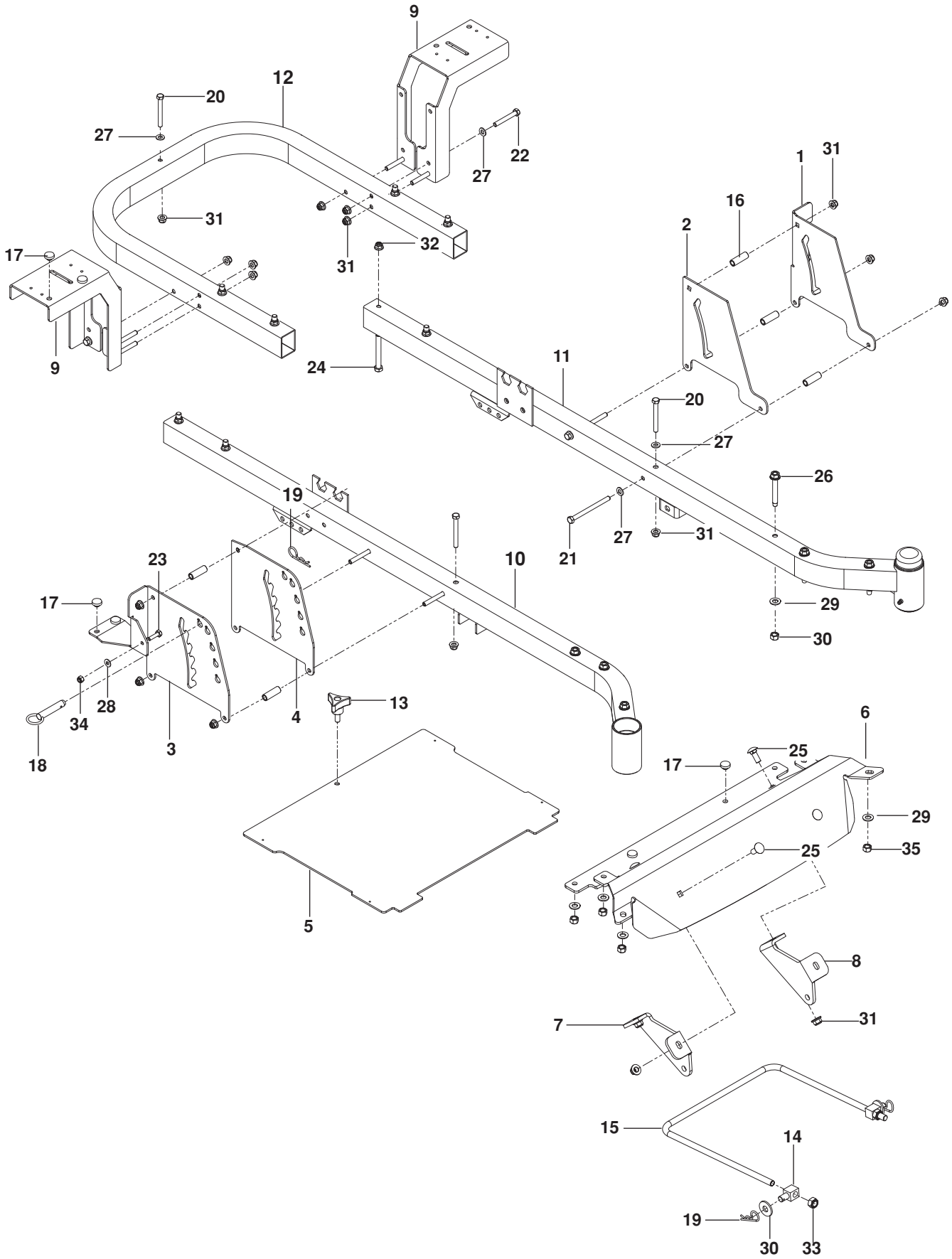
Accessories Available	
Collection System -----	966 792701
Mulch Kit-----	966 412901

CONTENTS

FRAME.....	4
ENGINE PLATE.....	6
STEERING	8
IGNITION.....	10
BRAKE / LIFT.....	12
HYDRAULIC PUMP / MOTOR.....	14
WHEELS AND TIRES.....	16
MOWER DECK / CUTTING DECK.....	18
SEAT	20
DECALS.....	22
ACCESSORIES	
BLOWER.....	24
BAGGER.....	26
CHUTES.....	28
GUARDS, MOUNTS AND BELT	30
MULCH KIT.....	32

NOTE: ALL FASTENERS ARE GRADE 5 UNLESS OTHERWISE SPECIFIED.

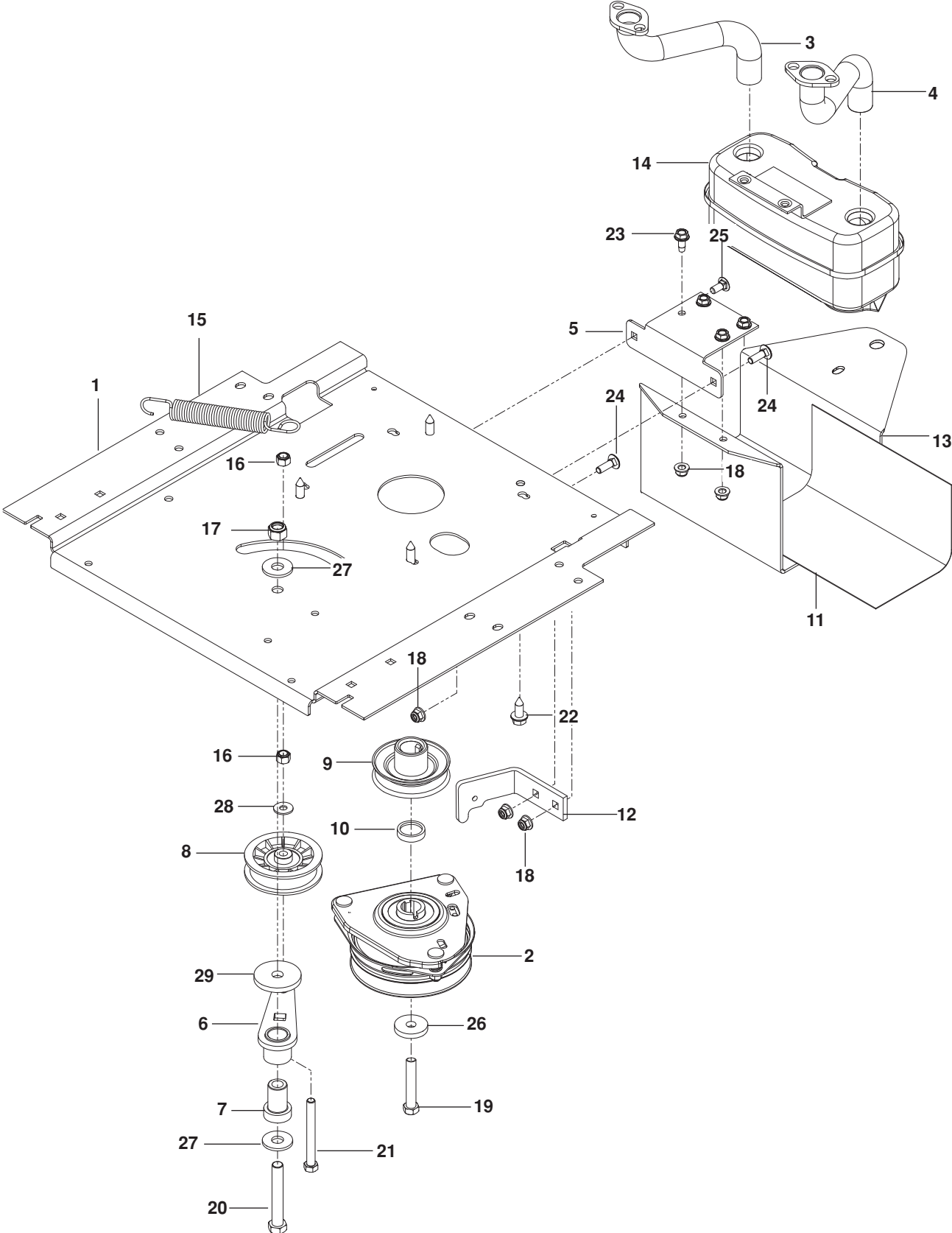
FRAME



FRAME

ITEM	PART NO.	QTY.	DESCRIPTION	ITEM	PART NO.	QTY.	DESCRIPTION
1..	510 261802....	1....	PLATE, OUTER BRAKE BLK	19..	539 976989....	3....	HAIRPIN
2..	510 206703....	1....	PLATE, BRAKE LATCH BLK	20..	874 780544....	3....	HCS 5/16-18 x 2 3/4
3..	510 245604....	1....	PLATE, LIFT OUTER BLK	21..	874 780564....	4....	HCS 5/16-18 x 4
4..	510 240502....	1....	PLATE, LIFT INNER BLK	22..	874 780536....	6....	HCS 5/16-18 x 2 1/4
5..	522 842902....	1....	FOOT PLATE w/ SFTY DECLS	23..	874 780416....	2....	HCS 1/4-20 x 1
6..	522 719504....	1....	FOOT REST ORG	24..	874 780648....	8....	HCS 3/8-16 x 3
7..	522 443302....	1....	MOUNT, STRUT RT BLK	25..	872 141608....	4....	RHSNB 3/8-16 x 1
8..	522 443304....	1....	MOUNT, STRUT LT BLK	26..	817 490642....	6....	BOLT 3/8-16 x 2 5/8 THD FRM
9..	510 225902....	2....	SUPPORT, FENDER BLK	27..	819 111116..	13....	WASHER 5/16 SAE FLT
10..	510 177503....	1....	FRAME, FRONT RT ORG	28..	819 091016....	2....	WASHER 1/4 FLT
11..	510 177403....	1....	FRAME, FRONT LT ORG	29..	819 141614....	6....	WASHER 3/8 STD FLT
12..	510 177603....	1....	FRAME, REAR TUBE ORG	30..	819 182212....	2....	WASHER 1/2 FLT
13..	539 104411....	1....	KNOB w/ STUD	31..	539 112899..	15....	NUT 5/16-18 HEX FLG NYLOC
14..	539 114789....	2....	SWIVEL	32..	521 996501....	8....	NUT 3/8-16 HEX FLG NYLOC
15..	521 938101....	1....	LINK, FRONT SUSPENSION	33..	539 119124....	2....	NUT 7/16-14 HEX NYLOC
16..	515 988101....	6....	SPACER 1/2 OD x 1 1/2	34..	873 800400....	2....	NUT 1/4-20 HEX NYLOC
17..	539 102587....	6....	GROMMET, BUMPER	35..	539 200282....	6....	NUT 3/8-16 HEX JAM NYLOC
18..	539 102526....	1....	LIFT PIN				

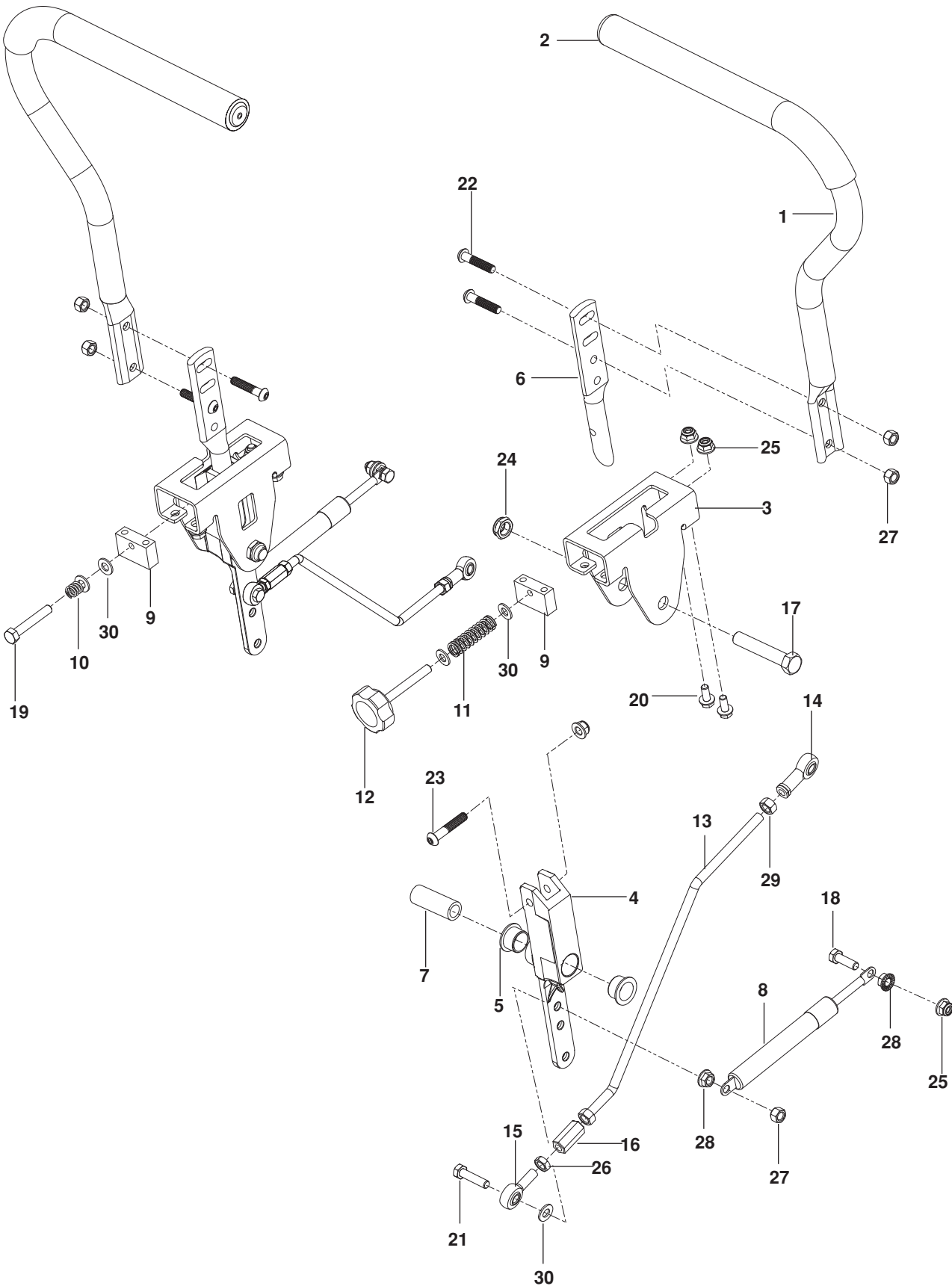
ENGINE PLATE



ENGINE PLATE

ITEM	PART NO.	QTY.	DESCRIPTION	ITEM	PART NO.	QTY.	DESCRIPTION
1..	575 327002....	1....	PLATE, ENGINE BLK	17..	873 800800....	1....	NUT 1/2-13 HEX NYLOC
2..	532 400008....	1....	CLUTCH	18..	539 112899....	5....	NUT 5/16-18 HEX FLG NYLOC
3..	532 159955....	1....	TUBE, EXHAUST RT	19..	576 968001....	1....	HCS 7/16-20 x 2 1/2
4..	532 160589....	1....	TUBE, EXHAUST LT	20..	874 780852....	1....	HCS 1/2-13 x 3/4
5..	510 260402....	1....	BRACKET, MUFFLER BLK	21..	874 520656....	1....	HCS 3/8-16 x 3 1/2
6..	539 112092....	1....	ARM, IDLER	22..	532 120616....	4....	HHFS 3/8-16 x 1 THD FRM
7..	539 101231....	1....	SPINDLE, IDLER	23..	874 490512....	4....	BOLT 5/16-18 x 3/4 THD FRM
8..	539 110311....	1....	PULLEY, IDLER	24..	872 140508....	2....	RHSNB 5/16-18 x 1
9..	539 114530....	1....	PULLEY, ENGINE	25..	872 140506....	1....	RHSNB 5/16-18 x 3/4
10..	577 094601....	1....	SPACER	26..	532 126197....	1....	WASHER, CLUTCH
11..	510 260502....	1....	SHIELD, MUFFLER	27..	819 182212....	2....	WASHER 1/2 FLT
12..	522 442506....	1....	STOP, CLUTCH BLK	28..	819 121414....	1....	WASHER 5/16 STD FLT
13..	510 260502....	1....	GUARD, MUFFLER BLK	29..	539 112670....	1....	WASHER, HEAVY
14..	539 131604....	1....	MUFFLER ASSY	NOT SHOWN			
15..	532 196105....	1....	SPRING, DECK DRIVE		532 198316 ...	1....	ADAPTER, CLUTCH
16..	873 800600....	2....	NUT 3/8-16 HEX NYLOC				

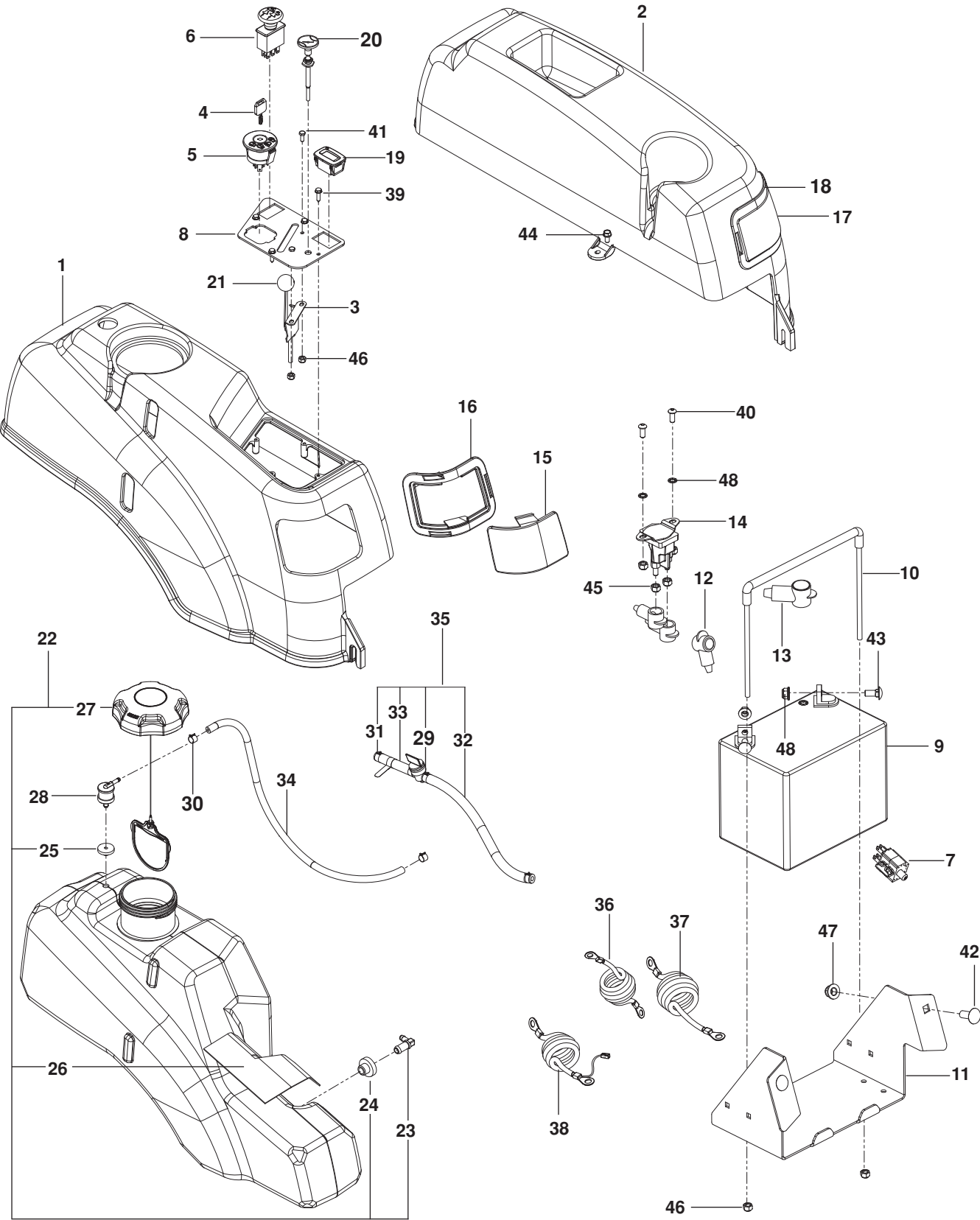
STEERING



STEERING

ITEM	PART NO.	QTY.	DESCRIPTION	ITEM	PART NO.	QTY.	DESCRIPTION
1..	579 036901....	2....	LEVER w/ GRIP	16..	539 116689....	2....	COUPLER, ROD END
2..	525 392901....	2....	GRIP, FOAM	17..	539 101332....	2....	HCS 1/2-13 x 2 3/4
3..	577 251701....	2....	BRACKET, CONTROL	18..	539 990209....	2....	HCS 5/16-18 x 1
4..	539 131518....	4....	BEARING, FLANGE	19..	539 976935....	1....	HCS 5/16-18 x 1 1/2
5..	576 140301....	2....	LEVER, CONTROL	20..	525 464701....	8....	HHFS 5/16-18 X 3/4
6..	577 420001....	2....	LEVER, HANDLE	21..	539 990669....	2....	HCS 5/16-18 x 1 3/4 TPBLT
7..	577 252401....	2....	SPACER, PIVOT CONTROL	22..	578 296402....	4....	SCREW 5/16-18 X 1 1/2 BTN HD
8..	539 102720....	2....	DAMPENER	23..	576 850402....	2....	SCREW 5/16-18 X 1 3/4 BTN HD
9..	577 251801 ...	2....	BLOCK, TRACKING	24..	539 108010....	2....	NUT 1/2-13 HEX JAM NYL GR2
10..	539 102845....	1....	SPRING	25..	539 112899..	10....	NUT 5/16-18 HEX FLG NYLOC
11..	576 850301....	1....	SPRING	26..	539 991073....	2....	NUT 5/16-24 HEX JAM LH
12..	539 131799....	1....	KNOB	27..	539 990717....	6....	NUT 5/16-18 HEX NYLOC
13..	580 624201....	2....	ROD, MOTION CONTROL	28..	539 990585....	4....	NUT 5/16-18 HEX WHIZLK
14..	539 115729....	2....	ROD END RH	29..	539 990223....	4....	NUT 5/16-24 HEX
15..	539 116690....	2....	ROD END MALE LH	30..	539 990188....	4....	WASHER 5/16 SAE FLT

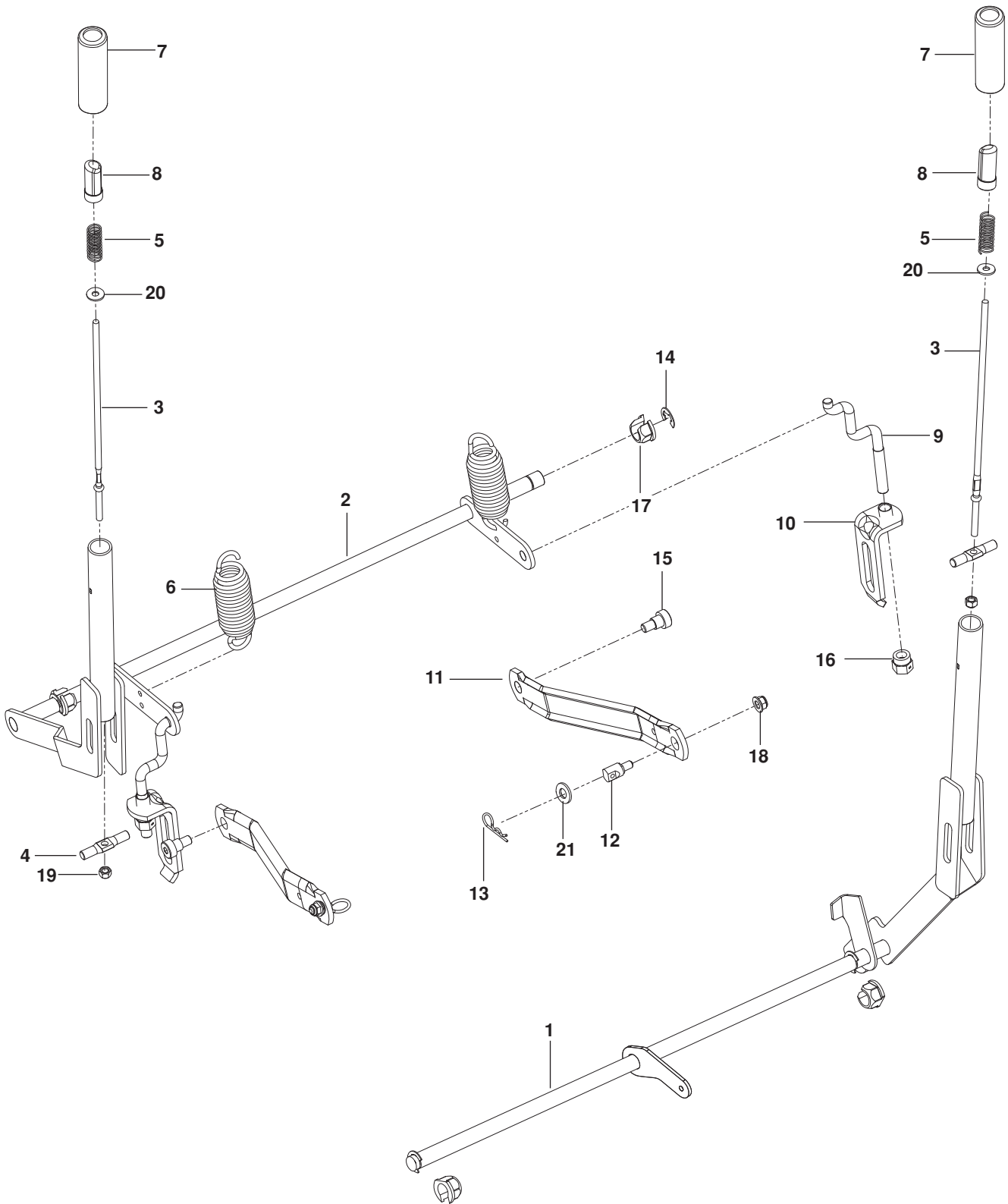
IGNITION



IGNITION

ITEM	PART NO.	QTY.	DESCRIPTION	ITEM	PART NO.	QTY.	DESCRIPTION
1..	578 178901....	1....	FENDER, RT GRY	27..	575 018101....	1....	FUEL CAP w/ TETHER
2..	539 130374....	1....	FENDER, LT GRY	28..	576 618101....	1....	VALVE, FUEL CHECK
3..	539 112734....	1....	CABLE, THROTTLE	29..	539 916325....	1....	VALVE, FUEL
4..	539 107544....	1....	KEY, IGNITION	30..	575 436501....	2....	CLAMP, HOSE
5..	539 107541....	1....	SWITCH, IGNITION	31..	539 912222....	4....	CLAMP, HOSE
6..	539 101768....	1....	SWITCH, CLUTCH	32..	539 932956....	1....	FUEL LINE 10"
7..	539 113792....	1....	SWITCH, BRAKE	33..	505 215101....	1....	FUEL LINE 2½"
8..	539 112736....	1....	PANEL, CONTROL	34..	574 521305....	1....	HOSE ³/₁₆" VAPOR 20"
9..	539 102436....	1....	BATTERY	35..	576 660701 ...	1....	FUEL LINE ASSY
10..	539 131209....	1....	TIE DOWN, BATTERY	36..	539 103306....	1....	CABLE, POSITIVE RED
11..	510 231302....	1....	BOX, BATTERY BLK	37..	539 110068....	1....	CABLE, NEGATIVE BLK
12..	539 116400....	3....	TERMINAL COVER	38..	580 798001 ...	1....	CABLE w/ LEAD POSITIVE
13..	539 102759....	1....	INSULATOR	39..	539 990411....	2....	SCREW 10-24 x ½ HEX HD
14..	539 101714....	1....	SOLENOID	40..	539 111229....	2....	SCREW ¼-20 x ⁵/₈ BTN SKT
15..	539 110057....	1....	LENS, RT	41..	539 110673....	2....	SCREW 10-24 x ¾ WSH HD
16..	539 110451....	1....	RIM, RT	42..	872 141608....	2....	RHSNB ³/₈-16 x 1
17..	539 110056....	1....	LENS, LT	43..	872 140506....	2....	RHSNB ⁵/₁₆-18 x ¾
18..	539 110455....	1....	RIM, LT	44..	539 108461....	2....	BOLT ¼-20 x ½
19..	576 179401....	1....	HOUR METER	45..	873 800400....	3....	NUT ¼-20 HEX NYLOC
20..	539 112439....	1....	CONTROL, CHOKE	46..	539 976977....	2....	NUT 10-24 HEX NYLOC
21..	539 133049....	1....	KNOB	47..	539 112899....	2....	NUT ⁵/₁₆-18 HEX FLG NYLOC
22..	578 180601....	1....	FUEL TANK ASSY	48..	539 990053....	2....	WASHER ¼ ITLW
23..	539 110432....	1....	ELBOW, TANK	NOT SHOWN			
24..	539 105245....	1....	GROMMET		580 798101 ...	1....	HARNES, WIRING
25..	576 618201....	1....	GROMMET, CHECK VALVE				
26..	522 559101....	1....	SHIELD, HEAT				

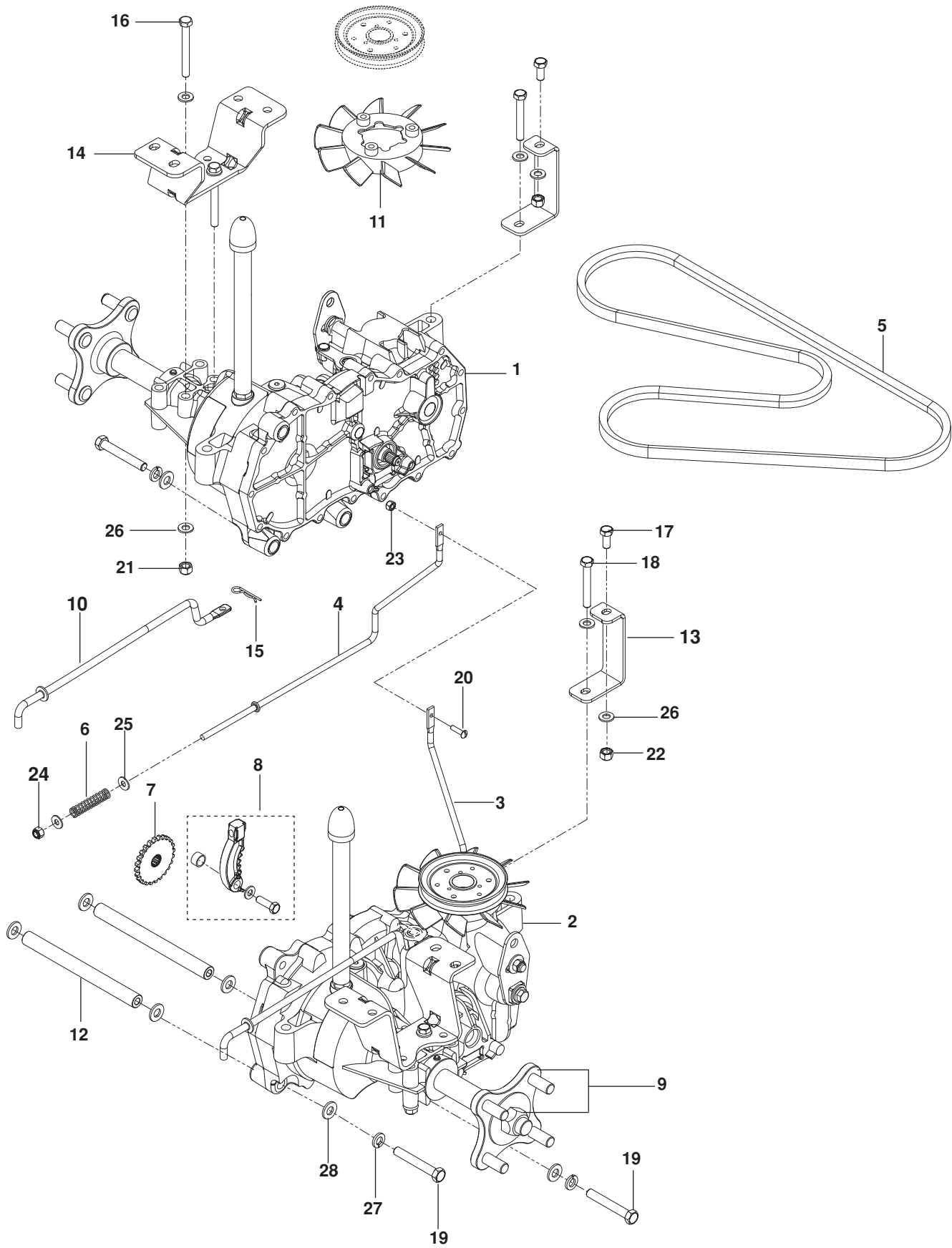
BRAKE / LIFT



BRAKE / LIFT

ITEM	PART NO.	QTY.	DESCRIPTION	ITEM	PART NO.	QTY.	DESCRIPTION
1..	580 435801....	1....	SHAFT, BRAKE	12..	532 195161....	2....	STUD w/ANTI- ROTATE
2..	574 216604....	2....	ARM, LIFTING	13..	539 976989....	2....	HAIRPIN
3..	510 422901....	2....	ROD, HANDLE RELEASE	14..	539 105069....	3....	E-RING
4..	516 008801....	1....	ROD, LATCH RELEASE	15..	539 113621....	2....	BOLT $\frac{3}{8}$ -16 x $\frac{3}{8}$ SHOULDER
5..	510 030701....	2....	SPRING, COMPRESSION	16..	532 175994....	2....	NUT, LIFT LINK
6..	539 118762....	2....	SPRING	17..	510 184901....	4....	NUT, PLASTIC
7..	510 207201....	2....	GRIP, HANDLE	18..	539 112899....	2....	NUT $\frac{5}{16}$ -18 HEX FLG NYLOC
8..	510 207301....	2....	BUTTON, PUSH	19..	539 976978....	2....	NUT $\frac{1}{4}$ -20 HEX NYLOC
9..	525 847201....	2....	LINK, REAR SUSPENSION	20..	539 990598....	4....	WASHER $\frac{1}{4}$ FLT
10..	522 858601....	2....	BRACKET, CENTERING LNK	21..	539 976982....	2....	WASHER $\frac{5}{8}$ SAE FLT
11..	532 195185....	2....	ARM, SUSPENSION RR				

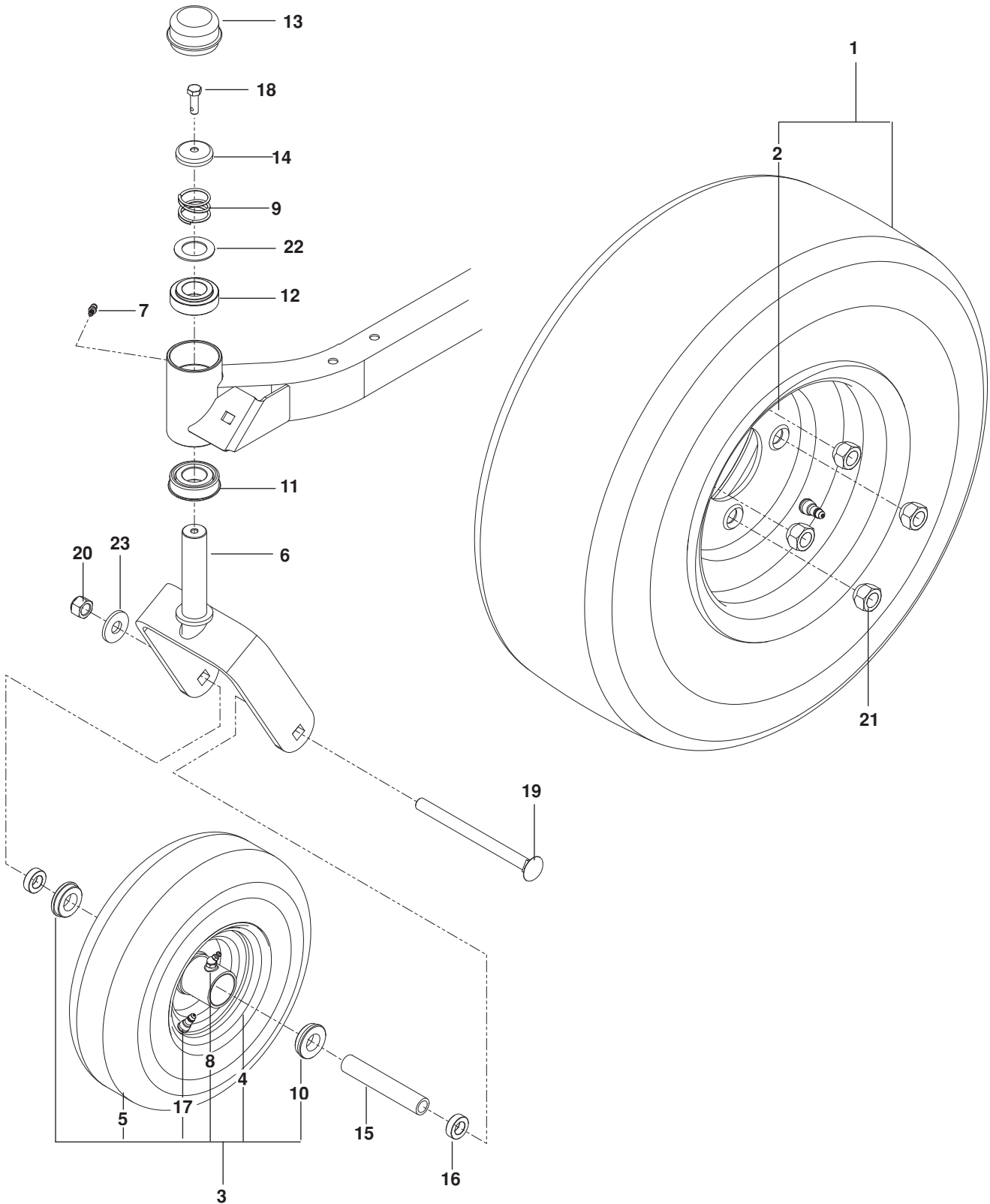
HYDRAULIC PUMP / MOTOR



HYDRAULIC PUMP / MOTOR

ITEM	PART NO.	QTY.	DESCRIPTION	ITEM	PART NO.	QTY.	DESCRIPTION
1..	510 375601....	1....	EZT, LT	15..	539 976988....	1....	HAIRPIN
2..	510 375602....	1....	EZT, RT	16..	539 101721....	4....	HCS $\frac{5}{16}$ -18 x $2\frac{3}{4}$
3..	574 030501....	1....	ROD, EZT BRAKE LT	17..	539 976934....	2....	HCS $\frac{5}{16}$ -18 x $\frac{3}{4}$
4..	574 030502....	1....	ROD, EZT BRAKE RT	18..	539 976938....	2....	HCS $\frac{5}{16}$ -18 x $2\frac{1}{4}$
5..	539 110411....	1....	BELT, EZT	19..	539 990637....	4....	HCS $\frac{3}{8}$ -16 x $2\frac{1}{2}$
6..	539 110342....	2....	SPRING, BRAKE ROD	20..	539 108535....	1....	SCREW 10-24 x $\frac{3}{4}$ SLTD RD
7..	539 120080....	2....	COG, BRAKE DISC	21..	539 990717..	10....	NUT $\frac{5}{16}$ -18 HEX NYLOC
8..	539 120079....	2....	BRAKE ARM KIT	22..	539 115617....	2....	NUT $\frac{5}{16}$ -18 NYLOC INSERT
9..	575 507001....	1....	HUB KIT w/ HUBS, NUTS	23..	539 976977....	1....	NUT 10-24 HEX NYLOC
10..	522 941101....	2....	LINK ARM, BYPASS	24..	539 976978....	2....	NUT $\frac{1}{4}$ -20 HEX NYLOC
11..	539 120785....	2....	BLADE, FAN	25..	539 990055....	4....	WASHER $\frac{1}{4}$ SAE FLT
12..	510 184101....	2....	SPACER TUBE	26..	539 990188..	14....	WASHER $\frac{5}{16}$ SAE FLT
13..	522 460702....	2....	SUPPORT, EZT FRT	27..	539 990118....	4....	WASHER $\frac{3}{8}$ SPLT LCK
14..	510 185102....	2....	MOUNT, EZT RR BLK	28..	539 990122....	8....	WASHER $\frac{3}{8}$ SAE FLT

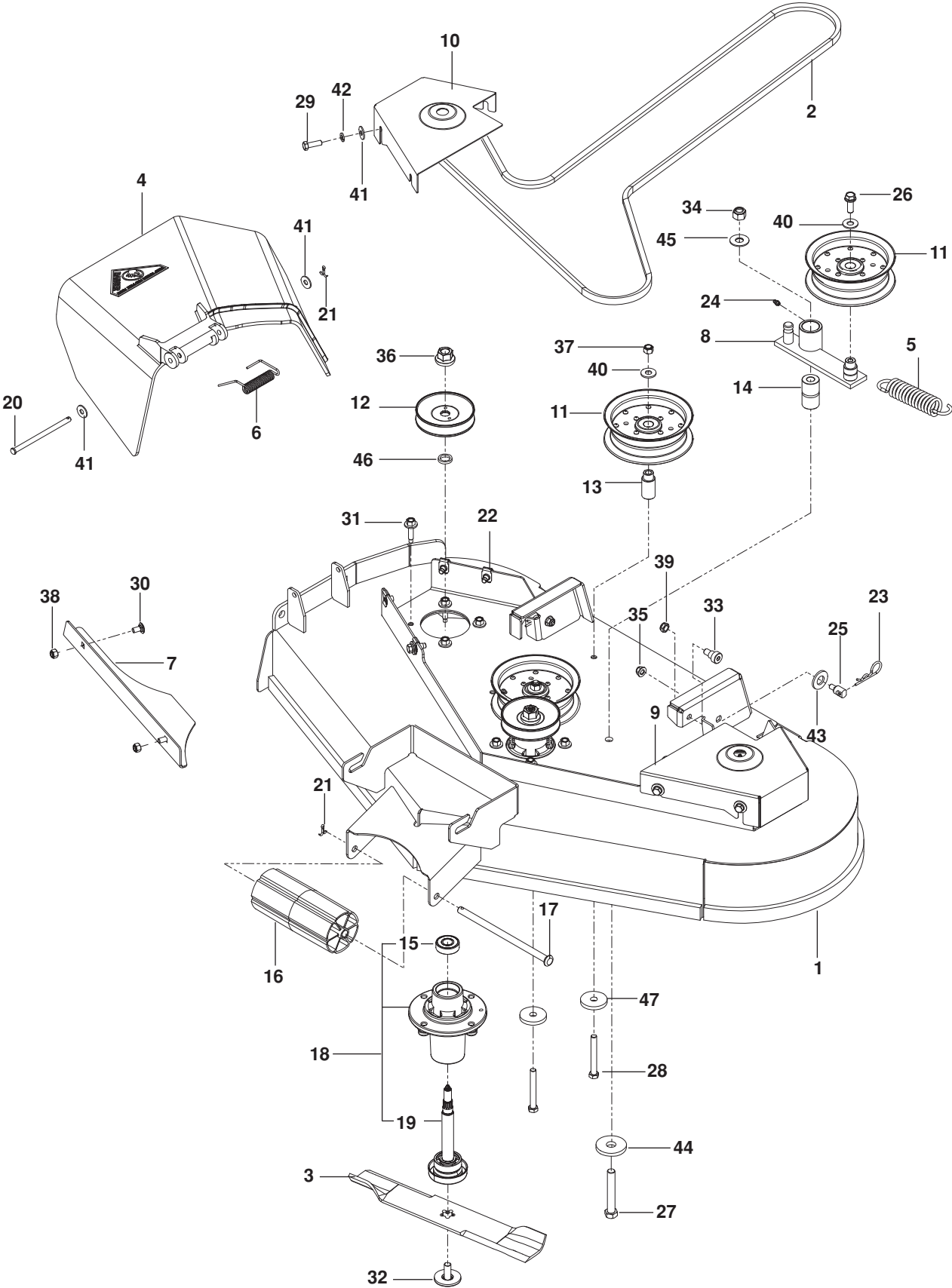
WHEELS AND TIRES



WHEELS AND TIRES

ITEM	PART NO.	QTY.	DESCRIPTION	ITEM	PART NO.	QTY.	DESCRIPTION
1..	539 112212....	2....	WHEEL ASSY, REAR 18 x 8.5	13..	539 102535....	2....	GREASE CAP
2..	539 112214....	2....	RIM	14..	539 115749....	2....	PLUG, CASTER
3..	516 001901....	2....	CASTER TIRE ASSY	15..	539 105543....	2....	SPACER
4..	539 106994....	2....	RIM	16..	539 114805....	4....	SPACER ⁵ / ₁₆
5..	539 114697....	2....	CASTER TIRE, 410-5 4 PLY	17..	539 912234....	4....	VALVE STEM
6..	510 186502....	2....	YOKE ORG	18..	539 115566....	2....	BOLT, HEX ⁵ / ₁₆ -18 x 1 NYLOC
7..	539 115638....	2....	ZERK ³ / ₁₆ DRIVE	19..	539 121159....	2....	RHSNB ¹ / ₂ -13 x 6 ¹ / ₂
8..	539 103300....	2....	ZERK	20..	539 200100....	2....	NUT ¹ / ₂ -13 HEX CNTRLK
9..	539 115747....	2....	SPRING, CASTER	21..	539 101173....	8....	NUT ¹ / ₂ LUG
10..	576 617801....	4....	BEARING, FLANGED	22..	539 115675....	2....	WASHER
11..	539 112660....	2....	BEARING, FLANGED	23..	539 109554....	2....	WASHER ¹ / ₂ FLT
12..	539 117901....	2....	BUSHING, CASTER				

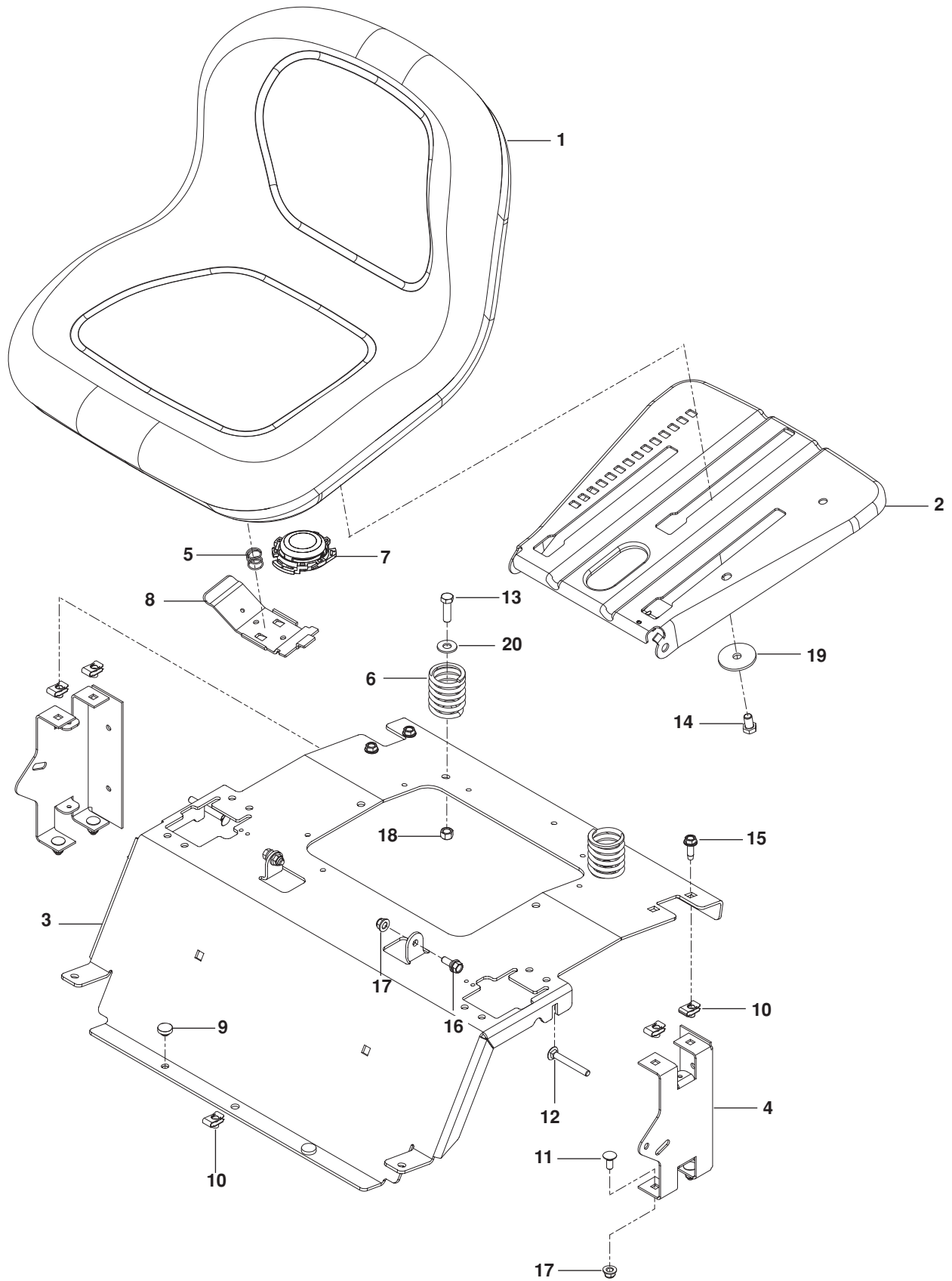
MOWER DECK / CUTTING DECK



MOWER DECK / CUTTING DECK

ITEM	PART NO.	QTY.	DESCRIPTION	ITEM	PART NO.	QTY.	DESCRIPTION
1..	574 761802....	1....	DECK w/SAFETY DECALS	25..	532 195161....	2....	STUD w/ ANTI-ROTATE
2..	539 117245....	1....	BELT, DECK	26..	539 990582....	1....	HCS 3/8-16 x 1
3..	539 112078....	3....	BLADE, 14 5/8	27..	539 103433....	1....	HCS 1/2-13 x 3 1/4
4..	539 110731....	1....	DISCHARGE CHUTE	28..	539 101341....	2....	HCS 3/8-16 x 3
5..	539 103256....	1....	SPRING	29..	539 990209....	8....	HCS 5/16-18 x 1
6..	539 110735....	1....	SPRING, TORSION	30..	539 990799....	2....	RHSNB 5/16-18 x 5/8
7..	539 112413....	1....	CONFINEMENT PLATE	31..	539 107630..	12....	SCREW 5/16-18 x WSHR HD
8..	539 112198....	1....	ARM, IDLER	32..	539 107522....	3....	BOLT WASHER ASSY
9..	539 112240....	1....	BELT SHIELD, LT	33..	539 113621....	2....	BOLT 3/8-16 x 1 1/4 SHOULDER
10..	539 112238....	1....	BELT SHIELD, RT	34..	539 101331....	1....	NUT 1/2-13 HEX NYLOC
11..	539 132728....	3....	PULLEY, IDLER	35..	539 112899....	2....	NUT 5/16-18 HEX FLG NYLOC
12..	525 348501....	3....	PULLEY, MANDREL	36..	539 107590....	3....	NUT 9/16 TOP CNTRLK
13..	539 112169....	2....	BUSHING, IDLER	37..	539 976979....	2....	NUT 3/8-16 HEX NYLOC
14..	539 103427....	1....	BUSHING, PIVOT	38..	539 990717....	2....	NUT 5/16-18 HEX NYLOC
15..	539 112050....	1....	BEARING	39..	539 200282....	2....	NUT 3/8-16 HEX JAM NYLOC
16..	532 176066....	1....	ROLLER, NOSE	40..	539 990517....	3....	WASHER 3/8 STD FLT
17..	532 179127....	1....	ROD, ROLLER, NOSE	41..	539 990692..	10....	WASHER 5/16 STD FLT
18..	539 112170....	3....	HOUSING	42..	539 990187....	8....	WASHER 5/16 SLW
19..	539 112056....	1....	SHAFT, MANDREL	43..	539 976982....	2....	WASHER 5/8 SAE FLT
20..	539 110736....	1....	PIN, CLEVIS 5/16 x 5	44..	539 102243....	1....	WASHER, SUPPORT
21..	539 990365....	2....	PIN, COTTER 1/8 x 3/4	45..	539 990550....	1....	WASHER 1/2
22..	539 104763....	8....	RETAINER, U TYPE	46..	539 107520....	3....	WASHER, SPACER
23..	539 976989....	2....	HAIRPIN #4	47..	539 106504....	2....	WASHER, HEAVY
24..	539 976998....	1....	ZERK				

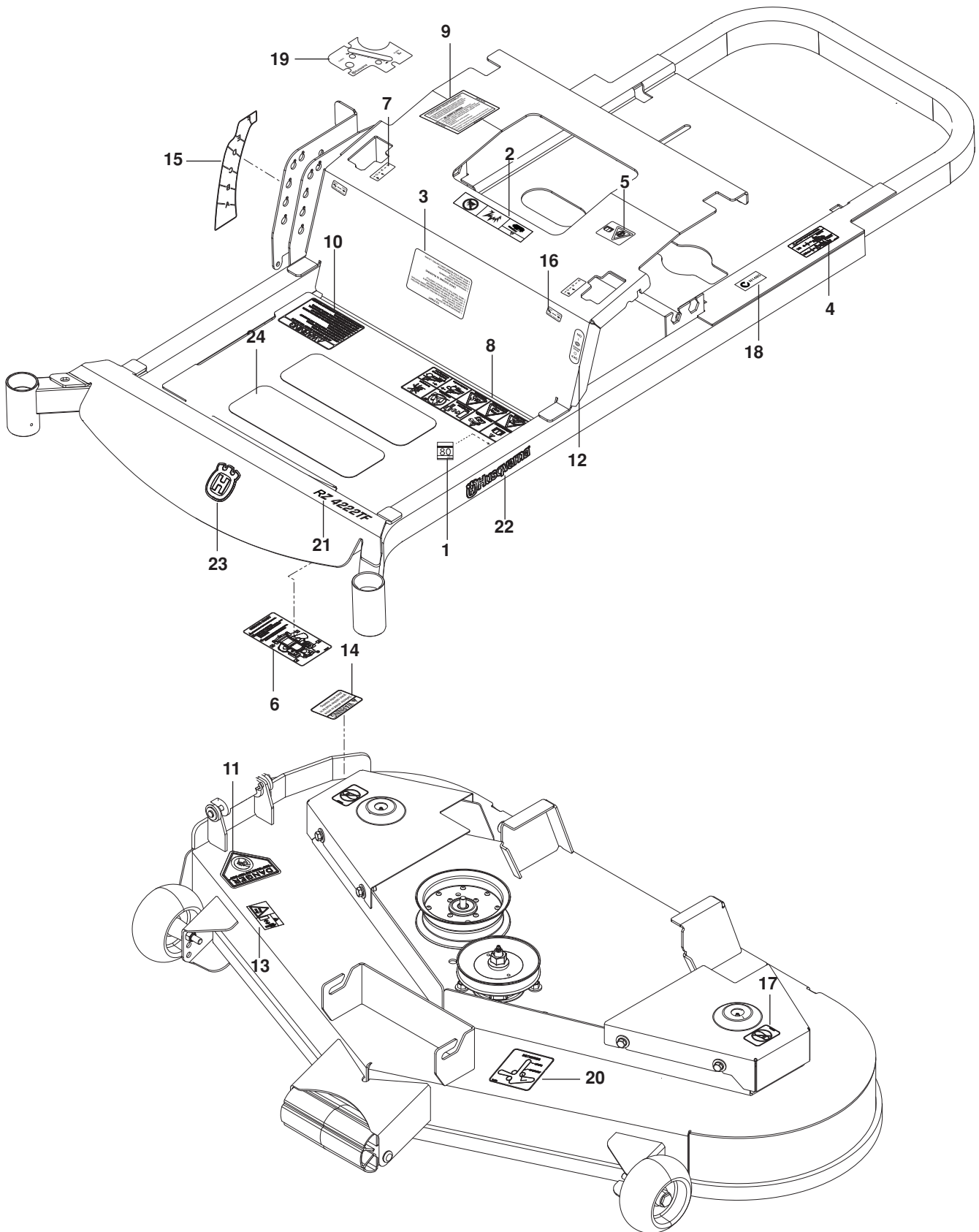
SEAT



SEAT

ITEM	PART NO.	QTY.	DESCRIPTION	ITEM	PART NO.	QTY.	DESCRIPTION
1..	532 424068....	1....	SEAT	11..	539 990316....	4....	RHSNB $\frac{5}{16}$ -18 x $\frac{3}{4}$
2..	532 196977....	1....	PAN, SEAT	12..	510 422701....	2....	RHSNB $\frac{5}{16}$ -18 x $2\frac{1}{2}$
3..	577 260503....	1....	SUPPORT, SEAT, ORG	13..	539 976941....	2....	HCS $\frac{3}{8}$ -16 x $1\frac{1}{4}$
4..	580 308201....	2....	SUPPORT, SEAT RR	14..	539 108503....	1....	HCS $\frac{3}{8}$ -16 x $\frac{5}{8}$
5..	532 198200....	1....	SPRING, LATCH	15..	539 107475....	4....	BOLT $\frac{5}{16}$ -18 x $\frac{3}{4}$ THD FRM
6..	539 110300....	2....	SPRING, SEAT	16..	539 110303....	2....	BOLT $\frac{5}{16}$ -18 SHOULDER
7..	539 132140....	1....	SWITCH, SEAT	17..	539 112899....	8....	NUT $\frac{5}{16}$ -18 HEX FLG NYLOC
8..	532 197661....	1....	HANDLE, SLIDE	18..	521 996501....	8....	NUT $\frac{3}{8}$ -16 HEX FLG NYLOC
9..	539 102587....	2....	GROMMET, BUMPER	19..	539 111897....	1....	WASHER $\frac{3}{8}$ SPECIAL
10..	539 104763....	5....	RETAINER, U TYPE	20..	539 990517....	2....	WASHER $\frac{3}{8}$ STD FLT

DECALS

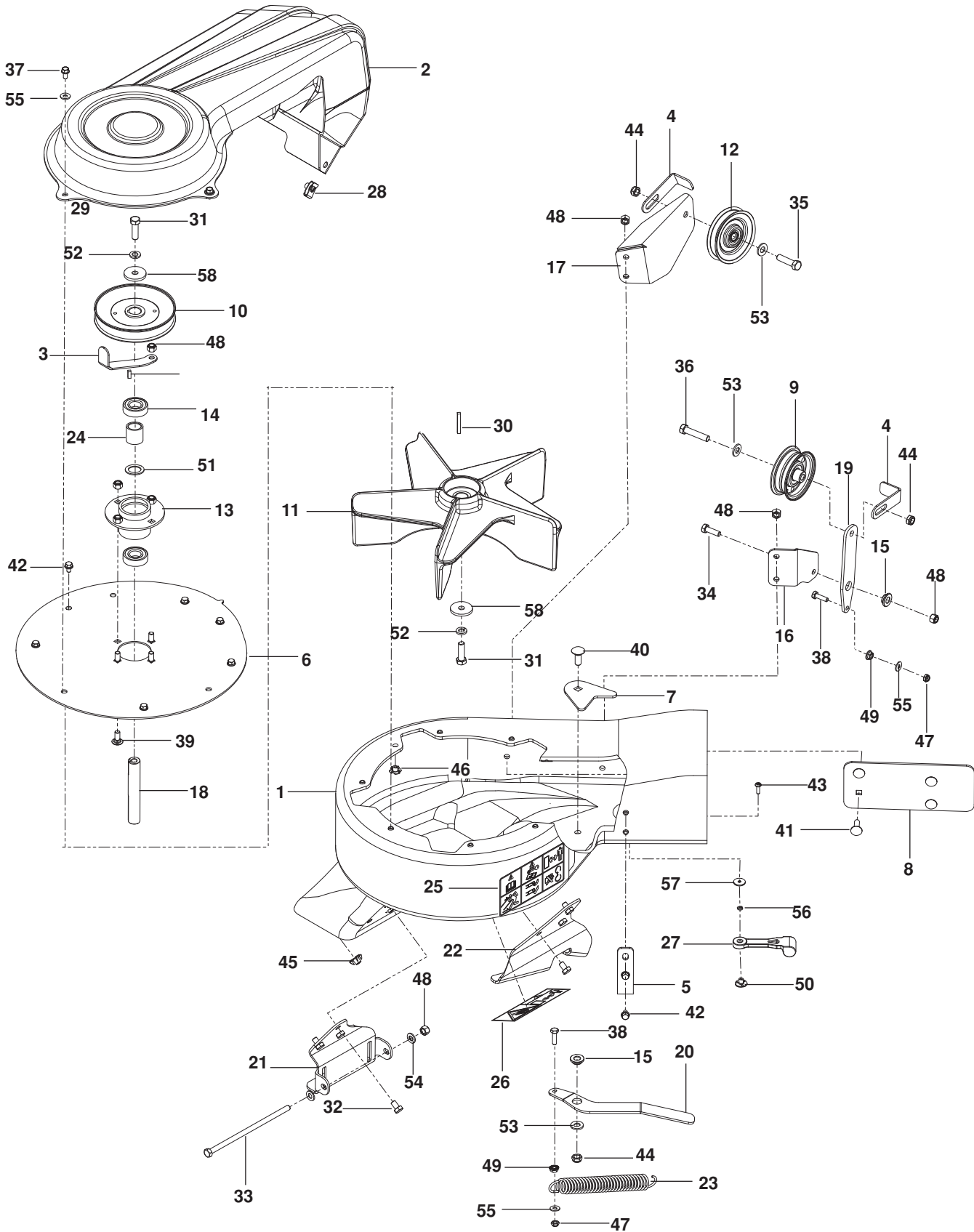


DECALS

ITEM	PART NO.	QTY.	DESCRIPTION	ITEM	PART NO.	QTY.	DESCRIPTION
1..	532 124433....	2....	DECAL, DB80	13..	539 105746....	1....	DECAL, SEVERING
2..	539 105745....	1....	DECAL, BATTERY WARNING	14..	539 113224....	1....	DECAL, DISCHARGE
3..	539 108179....	1....	DECAL, START	15..	521 980501....	1....	DECAL, HEIGHT
4..	539 108385....	1....	DECAL, DO NOT TOW	16..	539 110974....	1....	DECAL, TRACKING
5..	539 108386....	1....	DECAL, EXIT	17..	539 105743....	2....	DECAL, NO STEP
6..	539 109897....	1....	DECAL, SERVICE	18..	539 110279....	2....	DECAL, ECM
7..	539 103333....	2....	DECAL, MOTION CONTROL	19..	576 916702....	1....	DECAL, CONTROLS
8..	539 109908....	1....	DECAL, SAFETY WARNING	20..	539 112620....	1....	DECAL, BELT ROUTING
9..	539 110522....	1....	DECAL, RESPONSIBILITIES	21..	581 153301....	1....	DECAL, RZ4222TF
10..	539 113213....	1....	DECAL, SAFETY	22..	532 429196....	2....	DECAL, HUSQVARNA
11..	539 913010....	1....	DECAL, BLADES	23..	532 428676....	1....	DECAL, CROWN
12..	539 120006....	1....	DECAL, PARK BRAKE	24..	539 977778....	3....	ABRASIVE PAD

ACCESSORIES

Blower

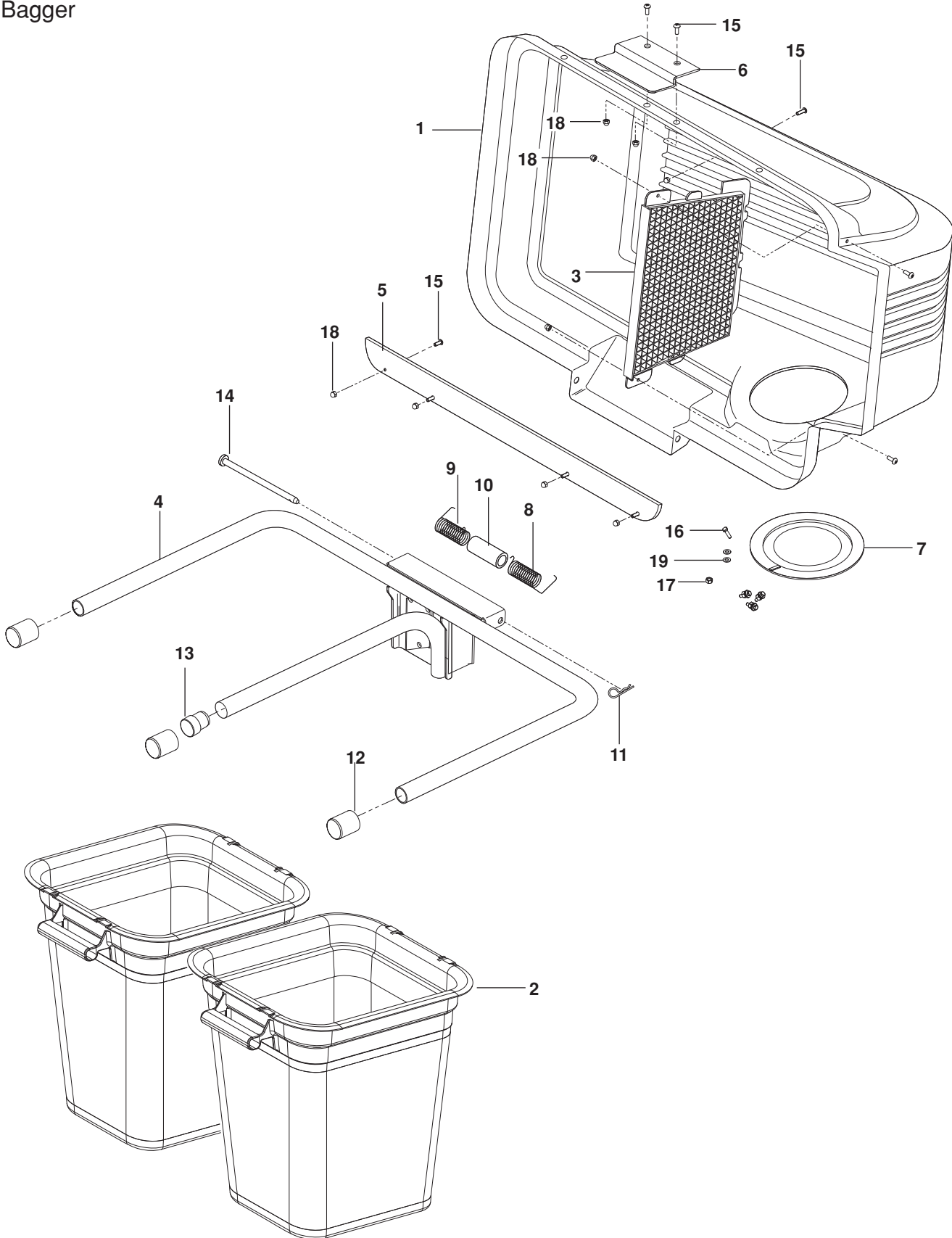


ACCESSORIES

ITEM	PART NO.	QTY.	DESCRIPTION	ITEM	PART NO.	QTY.	DESCRIPTION
1..	539 130344....	1....	HOUSING w/DECALS	30..	539 125229....	1....	KEY $\frac{3}{16}$ x $1\frac{1}{2}$
2..	539 130293....	1....	COVER, BELT	31..	539 110321....	2....	HCS $\frac{3}{8}$ -24 x $1\frac{1}{4}$ GR 8
3..	539 131085....	1....	KEEPER, BELT OUTER	32..	539 130315....	6....	HCS $\frac{5}{16}$ -18 x $\frac{1}{2}$
4..	539 131087....	2....	KEEPER, BELT REAR	33..	539 105826....	1....	HCS $\frac{5}{16}$ -18 x 7
5..	539 130346....	1....	KEEPER	34..	539 990209....	1....	HCS $\frac{5}{16}$ -18 x 1
6..	539 130341....	1....	PLATE, OUTER	35..	539 990655....	1....	HCS $\frac{3}{8}$ -16 x $1\frac{1}{2}$
7..	539 132124....	1....	PLATE, BACKING	36..	539 976949....	1....	HCS $\frac{3}{8}$ -16 x $1\frac{3}{4}$
8..	539 132122....	1....	PLATE, BACKING	37..	539 108461....	3....	HCS $\frac{1}{4}$ -20 x $\frac{1}{2}$
9..	539 919078....	1....	PULLEY, IDLER	38..	539 990643....	2....	HCS $\frac{1}{4}$ -20 x $\frac{7}{8}$
10..	539 130324....	1....	PULLEY	39..	539 990316....	4....	RHSNB $\frac{5}{16}$ -18 x $\frac{3}{4}$
11..	539 130292....	1....	IMPELLER	40..	539 990645....	1....	RHSNB $\frac{3}{8}$ -16 x 1
12..	539 113683....	1....	V-IDLER	41..	539 990208....	4....	RHSNB $\frac{5}{16}$ -18 x 1
13..	539 130295....	1....	HUB, BEARING	42..	539 990302....	8....	SCREW $\frac{1}{4}$ x $\frac{3}{8}$ THRD FRM
14..	539 130296....	2....	BEARING	43..	539 976952....	1....	SCREW #10-24 x $\frac{5}{8}$
15..	539 130301....	2....	BUSHING	44..	539 200282....	3....	NUT $\frac{3}{8}$ -16 HEX JAM NYLOC
16..	539 130335....	1....	MOUNT, IDLER, UPPER	45..	539 130313....	6....	NUT $\frac{5}{16}$ -18 TEE
17..	539 130336....	1....	MOUNT, IDLER, LOWER	46..	539 130314..	11....	NUT $\frac{1}{4}$ -20 TEE
18..	539 130316....	1....	SHAFT, IMPELLER	47..	539 108120....	2....	NUT $\frac{1}{4}$ -20 HEX NYLOC
19..	539 130337....	1....	ARM, IDLER	48..	539 990717..	10....	NUT $\frac{5}{16}$ -18 HEX NYLOC
20..	539 130338....	1....	ARM, TENSION	49..	539 108735....	2....	NUT $\frac{1}{4}$ -20 HEX FLANGE
21..	539 130339....	1....	BRACKET, MOUNT, FRONT	50..	539 108089....	1....	WELD NUT, PLATED
22..	539 130340....	1....	BRACKET, MOUNT, REAR	51..	539 910935....	1....	WASHER
23..	539 101977....	1....	TRACTION SPRING	52..	539 990118....	2....	WASHER $\frac{3}{8}$ SPLT LOCK
24..	539 130323....	1....	SPACER	53..	539 990122....	3....	WASHER $\frac{3}{8}$ SAE FLT
25..	539 105785....	1....	DECAL, WARNING	54..	539 990188....	2....	WASHER $\frac{5}{16}$ SAE FLAT
26..	539 106741....	1....	DECAL, SEVERING	55..	539 990055....	5....	WASHER $\frac{1}{4}$ FLAT SAE
27..	539 108088....	1....	LATCH, HOOD	56..	539 109552....	2....	WASHER $\frac{3}{16}$ LOCK
28..	539 104763....	1....	RETAINER U TYPE	57..	539 108084....	2....	WASHER $\frac{3}{16}$ x $\frac{3}{4}$ x 16 GA
29..	539 115667....	1....	KEY $\frac{3}{16}$ x $\frac{1}{2}$	58..	539 110323....	2....	WASHER, HARDENED

ACCESSORIES

Bagger

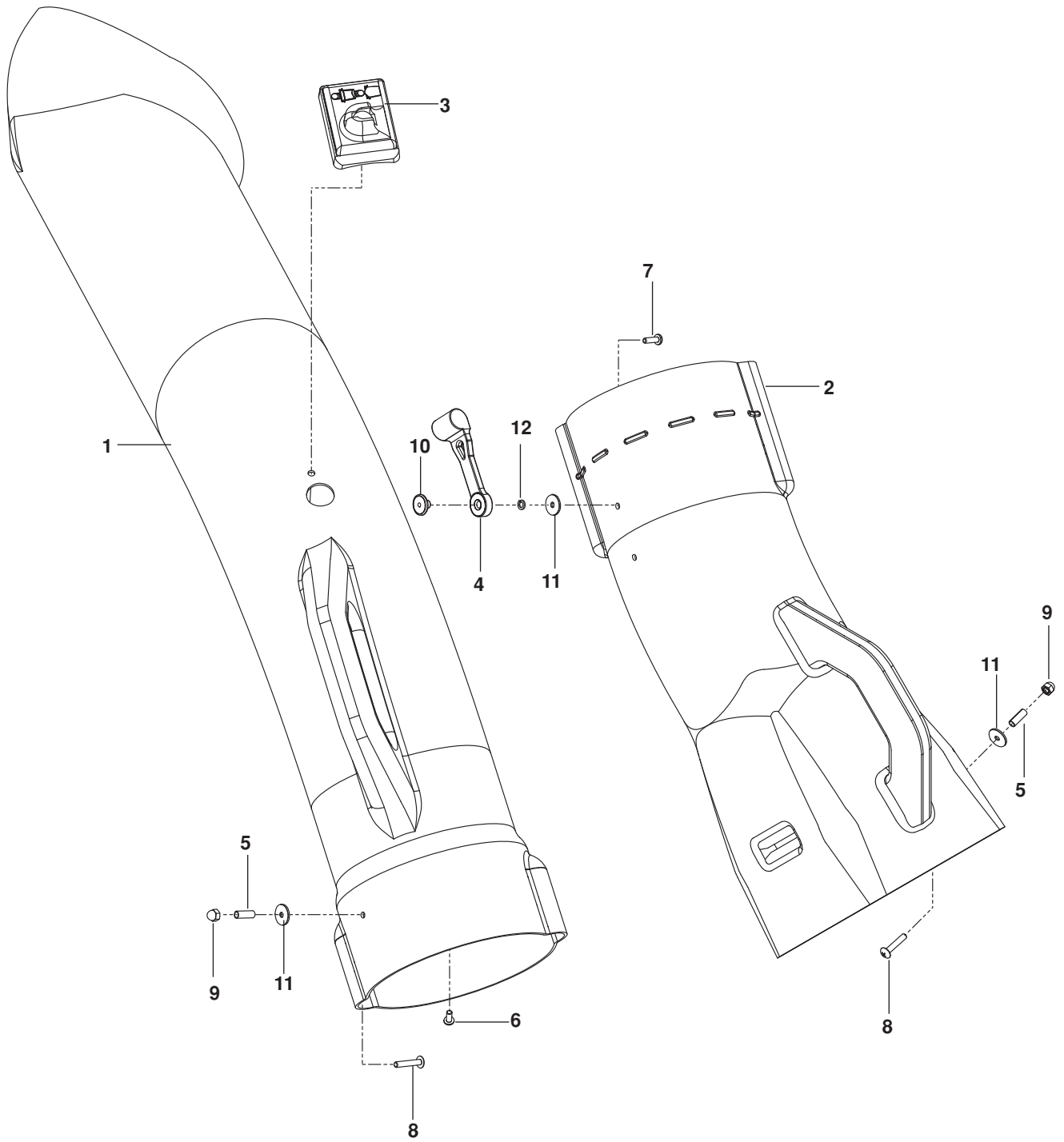


ACCESSORIES

ITEM	PART NO.	QTY.	DESCRIPTION	ITEM	PART NO.	QTY.	DESCRIPTION
1..	539 111139....	1....	COVER ASSY, COMPLETE	11..	539 108096....	1....	HAIRPIN, RETAINER
2..	532 400226....	2....	CONTAINER, SOFT BAG	12..	539 108097....	3....	CAP, TUBING END
3..	532 127533....	1....	SCREEN, COVER	13..	522 801301....	1....	SPACER PLUG
4..	532 179746....	1....	BAGGER, FRAME	14..	532 192786....	1....	PIN, HINGE
5..	532 155042....	1....	STRIP, REINFORCEMENT	15..	539 976952....	9....	SCREW #10-24 x 5/8
6..	532 130895....	1....	LATCH HANDLE, COVER	16..	539 106312....	4....	SCREW #10-24 x 3/4
7..	532 127534....	1....	GASKET	17..	539 976977....	4....	NUT #10-24 HEX NYLOC
8..	532 132796....	1....	SPRING, COVER LH	18..	539 108086....	9....	NUT #10-24 ACORN
9..	532 132983....	1....	SPRING, COVER RH	19..	539 105408....	8....	WASHER #10 FLAT
10..	532 133235....	1....	SPACER, COVER				

ACCESSORIES

Chutes

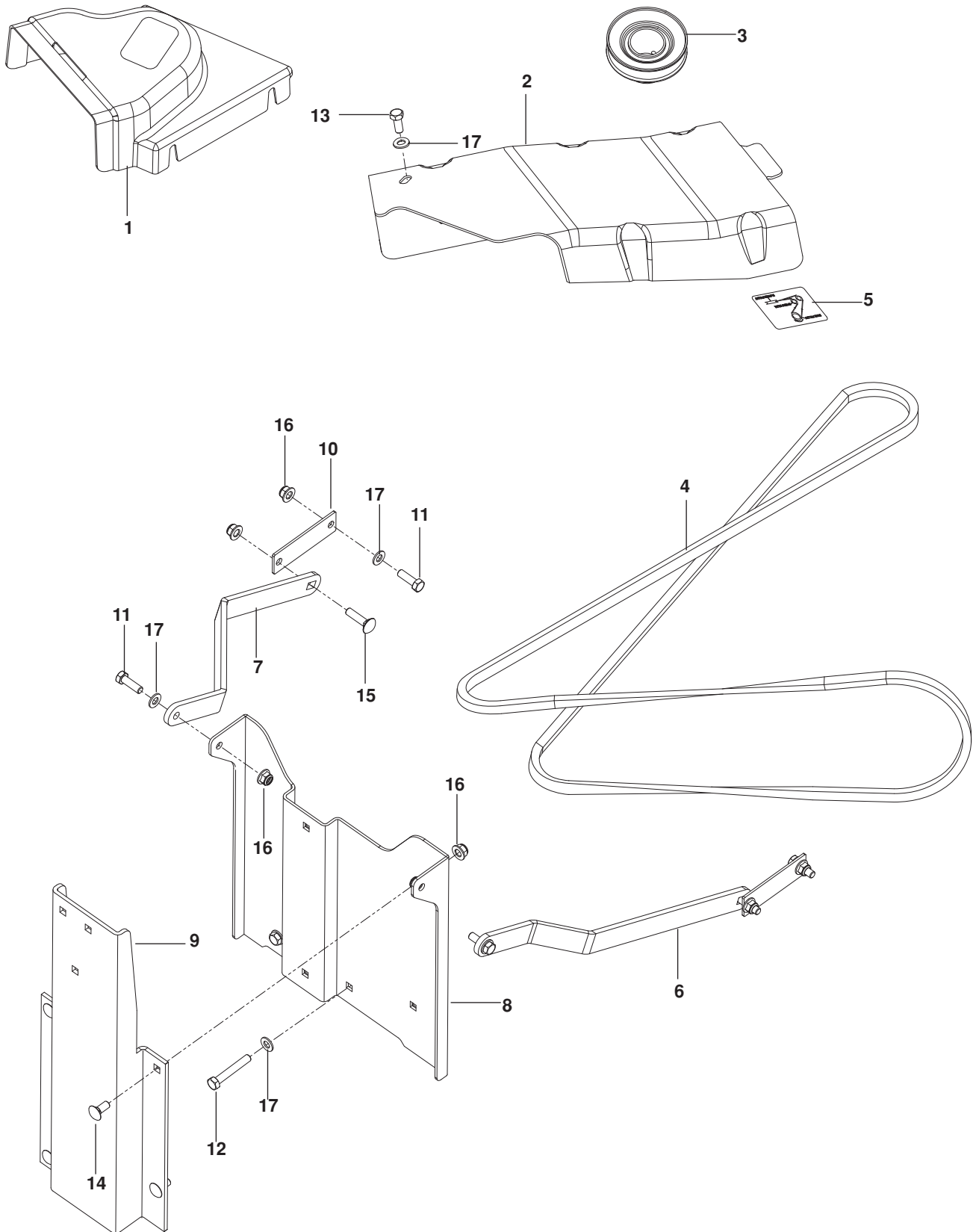


ACCESSORIES

ITEM	PART NO.	QTY.	DESCRIPTION	ITEM	PART NO.	QTY.	DESCRIPTION
1..	522 739202....	1....	CHUTE, UPPER	7..	539 976952....	1....	SCREW #10-24 x 5/8
2..	539 130294....	1....	CHUTE, MIDDLE	8..	539 108083....	2....	SCREW #10-24 x 1 1/8
3..	539 108082....	1....	INDICATOR, BAG DUMP	9..	539 108086....	2....	NUT #10-24 ACORN
4..	539 108088....	1....	LATCH, HOOD	10..	539 108089....	1....	WELD NUT, PLATED
5..	539 108085....	2....	SPACER, SPLIT	11..	539 108084....	3....	WASHER 3/16 x 3/4 x 16 GA
6..	539 108081....	1....	SCREW #10-14 x 1/2	12..	539 109552....	2....	WASHER 3/16 LOCK

ACCESSORIES

Guards, Mounts and Belt

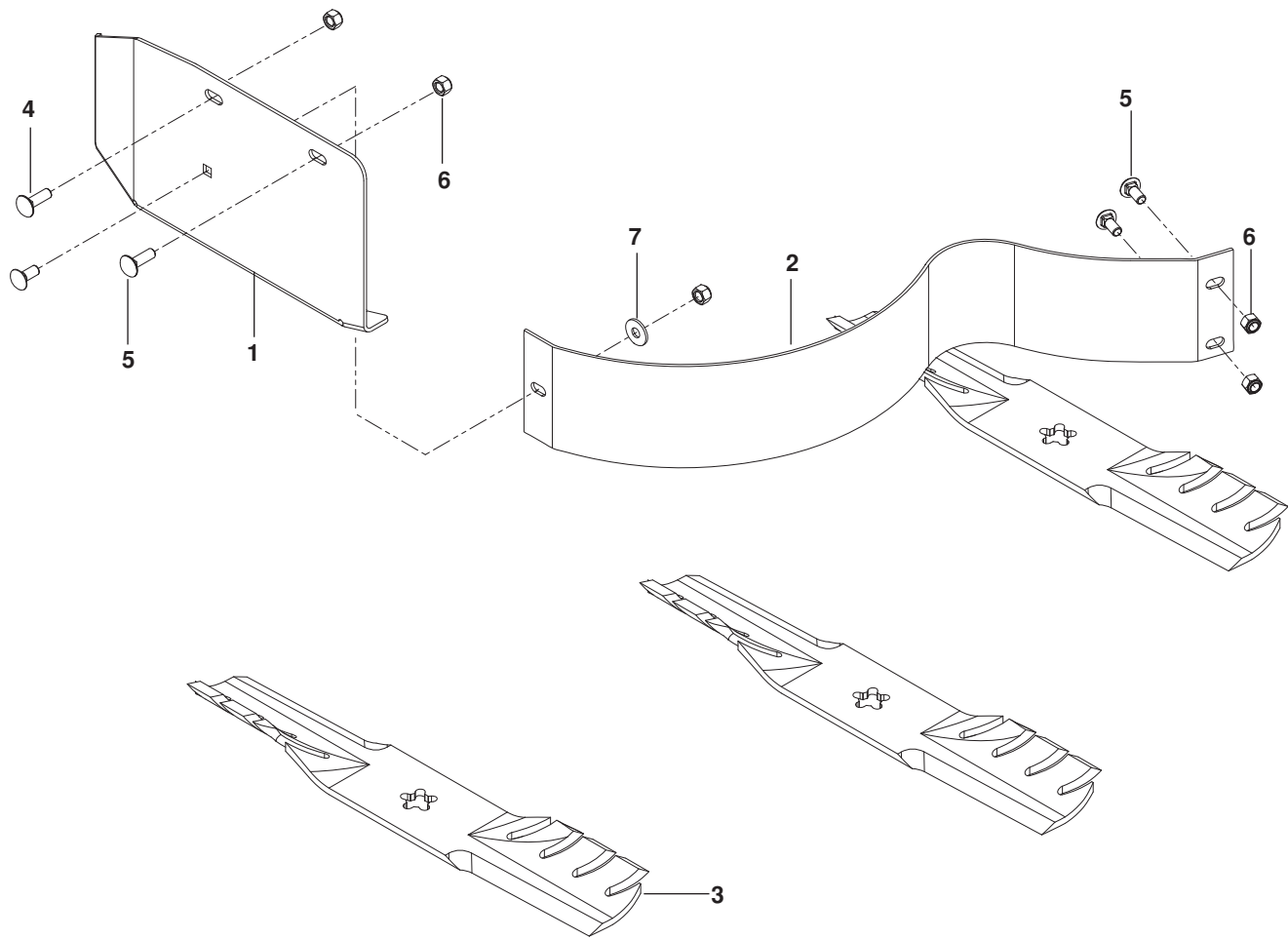


ACCESSORIES

ITEM	PART NO.	QTY.	DESCRIPTION	ITEM	PART NO.	QTY.	DESCRIPTION
1..	573 944201....	1....	SHIELD, BELT	10..	523 112802....	2....	PLATE REINFORCEMENT
2..	539 130309....	1....	COVER, OUTER PULLEY	11..	539 990209....	4....	HCS $5/16$ -18 x 1
3..	573 944001....	1....	PULLEY	12..	539 976938....	2....	HCS $5/16$ -18 x 2 $1/4$
4..	539 132347....	1....	BELT	13..	539 976934....	1....	HCS $5/16$ -18 x $3/4$
5..	539 130349....	1....	DECAL, BELT ROUTING	14..	539 990316....	4....	RHSNB $5/16$ -18 x $3/4$
6..	522 854402....	1....	STRAP, SUPPORT, RT	15..	539 100472....	2....	RHSNB $5/16$ -18 x 1 $1/4$
7..	522 854502....	1....	STRAP, SUPPORT, LT	16..	539 112899..	12....	NUT $5/16$ -18 FLANGE NYLOC
8..	522 854602....	1....	MOUNT, 2 BIN COLLECT	17..	539 990188....	7....	WASHER $5/16$ SAE FLAT
9..	522 854702....	1....	BRACKET, COLLECTION				

ACCESSORIES

Mulch Kit



ACCESSORIES

ITEM	PART NO.	QTY.	DESCRIPTION
1..	539 112346....	1....	42 MULCH CAP
2..	539 112419....	1....	42 MULCH BAFFLE
3..	573 953001....	3....	BLADE, 14 ^{5/8} "
4..	539 990208....	2....	RHSNB ^{5/16} -18 x 1

ITEM	PART NO.	QTY.	DESCRIPTION
5..	539 990316....	3....	RHSNB ^{5/16} -18 x ^{3/4}
6..	539 990717....	5....	NUT ^{5/16} -18 NYLOC
7..	539 990692....	1....	WASHER ^{5/16}

